



TRAFFIC CRASH REPORT

*DENOTES MANDATORY FIELD FOR SUPPLEMENT REPORT

LOCAL REPORT NUMBER*

20-000026

PHOTOS TAKEN
 SECONDARY CRASH
 OH-2
 OH-1P
 OH-3
 OTHER
 PRIVATE PROPERTY

LOCAL INFORMATION
 REPORTING AGENCY NAME*
 Bellbrook Police Department
 NCIC*
 02905

HIT/SKIP
 1 - SOLVED
 2 - UNSOLVED
 NUMBER OF UNITS
 01
 UNIT IN ERROR
 01 98 - ANIMAL
 99 - UNKNOWN

COUNTY*
 29
 LOCALITY*
 1
 1 - CITY
 2 - VILLAGE
 3 - TOWNSHIP
 LOCATION: CITY, VILLAGE, TOWNSHIP*
 Bellbrook

CRASH DATE / TIME*
 08112020 2054
 CRASH SEVERITY
 5
 1 - FATAL
 2 - SERIOUS INJURY SUSPECTED
 3 - MINOR INJURY SUSPECTED
 4 - INJURY POSSIBLE
 5 - PROPERTY DAMAGE ONLY

ROUTE TYPE
 ROUTE NUMBER
 PREFIX
 1 - NORTH
 2 - SOUTH
 3 - EAST
 4 - WEST
 LOCATION ROAD NAME
 Shadowood
 ROAD TYPE
 CR

LATITUDE DECIMAL DEGREES
 39.631937
 LONGITUDE DECIMAL DEGREES
 -84.088347

ROUTE TYPE
 ROUTE NUMBER
 PREFIX
 1 - NORTH
 2 - SOUTH
 3 - EAST
 4 - WEST
 REFERENCE ROAD NAME (ROAD, MILEPOST, HOUSE #)
 2211
 ROAD TYPE

REFERENCE POINT
 3
 1 - INTERSECTION
 2 - MILE POST
 3 - HOUSE #
 DIRECTION FROM REFERENCE
 1 - NORTH
 2 - SOUTH
 3 - EAST
 4 - WEST
 ROUTE TYPE
 IR - INTERSTATE ROUTE (TP)
 US - FEDERAL US ROUTE
 SR - STATE ROUTE
 CR - NUMBERED COUNTY ROUTE
 TR - NUMBERED TOWNSHIP ROUTE
 ROAD TYPE
 AL - ALLEY
 AV - AVENUE
 BL - BOULEVARD
 CR - CIRCLE
 CT - COURT
 DR - DRIVE
 HE - HEIGHTS
 HW - HIGHWAY
 LA - LANE
 MP - MILEPOST
 OV - OVAL
 PK - PARKWAY
 PI - PIKE
 PL - PLACE
 RD - ROAD
 SQ - SQUARE
 ST - STREET
 TE - TERRACE
 TL - TRAIL
 WA - WAY

INTERSECTION RELATED
 WITHIN INTERSECTION OR ON APPROACH
 WITHIN INTERCHANGE AREA
 NUMBER OF APPROACHES
 ROADWAY
 ROADWAY DIVIDED

LOCATION OF FIRST HARMFUL EVENT
 06
 1 - ON ROADWAY
 2 - ON SHOULDER
 3 - IN MEDIAN
 4 - ON ROADSIDE
 5 - ON GORE
 6 - OUTSIDE TRAFFIC WAY
 7 - ON RAMP
 8 - OFF RAMP
 9 - CROSSOVER
 10 - DRIVEWAY/ALLEY ACCESS
 11 - RAILWAY GRADE CROSSING
 12 - SHARED USE PATHS OR TRAILS
 13 - BIKE LANE
 14 - TOLL BOOTH
 99 - OTHER / UNKNOWN

MANNER OF CRASH COLLISION/IMPACT
 1
 1 - NOT COLLISION BETWEEN TWO MOTOR VEHICLES IN TRANSPORT
 2 - REAR-END
 3 - HEAD-ON
 4 - REAR-TO-REAR
 5 - BACKING
 6 - ANGLE
 7 - SIDESWIPE, SAME DIRECTION
 8 - SIDESWIPE, OPPOSITE DIRECTION
 9 - OTHER / UNKNOWN

DIRECTION OF TRAVEL
 1 - NORTH
 2 - SOUTH
 3 - EAST
 4 - WEST
 MEDIAN TYPE
 1 - DIVIDED FLUSH MEDIAN (<4 FEET)
 2 - DIVIDED FLUSH MEDIAN (≥4 FEET)
 3 - DIVIDED, DEPRESSED MEDIAN
 4 - DIVIDED, RAISED MEDIAN (ANY TYPE)
 9 - OTHER/UNKNOWN

WORK ZONE RELATED
 WORKERS PRESENT
 LAW ENFORCEMENT PRESENT
 ACTIVE SCHOOL ZONE

WORK ZONE TYPE
 1 - LANE CLOSURE
 2 - LANE SHIFT/CROSSOVER
 3 - WORK ON SHOULDER OR MEDIAN
 4 - INTERMITTENT OR MOVING WORK
 5 - OTHER

LOCATION OF CRASH IN WORK ZONE
 1 - BEFORE THE 1ST WORK ZONE WARNING SIGN
 2 - ADVANCE WARNING AREA
 3 - TRANSITION AREA
 4 - ACTIVITY AREA
 5 - TERMINATION AREA

CONTOUR
 1 - STRAIGHT LEVEL
 2 - STRAIGHT GRADE
 3 - CURVE LEVEL
 4 - CURVE GRADE
 9 - OTHER/UNKNOWN

CONDITIONS
 1
 1 - DRY
 2 - WET
 3 - SNOW
 4 - ICE
 5 - SAND, MUD, DIRT, OIL, GRAVEL
 6 - WATER (STANDING, MOVING)
 7 - SLUSH
 9 - OTHER/UNKNOWN

SURFACE
 1 - CONCRETE
 2 - BLACKTOP, BITUMINOUS, ASPHALT
 3 - BRICK/BLOCK
 4 - SLAG, GRAVEL, STONE
 5 - DIRT
 9 - OTHER/UNKNOWN

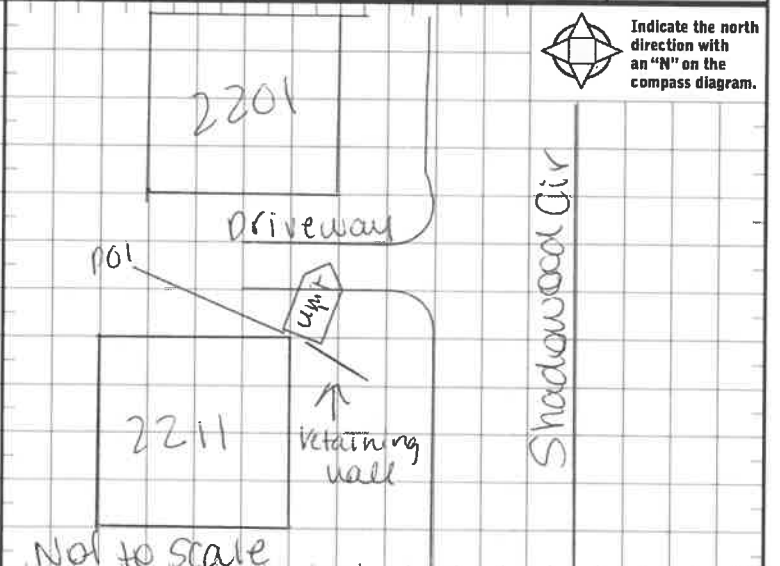
LIGHT CONDITION
 4
 1 - DAYLIGHT
 2 - DAWN/DUSK
 3 - DARK - LIGHTED ROADWAY
 4 - DARK - ROADWAY NOT LIGHTED
 5 - DARK - UNKNOWN ROADWAY LIGHTING
 9 - OTHER / UNKNOWN

WEATHER
 1
 1 - CLEAR
 2 - CLOUDY
 3 - FOG, SMOG, SMOKE
 4 - RAIN
 5 - SLEET, HAIL
 6 - SNOW
 7 - SEVERE CROSSWINDS
 8 - BLOWING SAND, SOIL, DIRT, SNOW
 9 - FREEZING RAIN OR FREEZING DRIZZLE
 99 - OTHER / UNKNOWN

CONTOUR
 1 - STRAIGHT LEVEL
 2 - STRAIGHT GRADE
 3 - CURVE LEVEL
 4 - CURVE GRADE
 9 - OTHER/UNKNOWN

NARRATIVE

Unit 1 was parked in the driveway of 2201 Shadowood Cir. facing northbound. The parking brake was not set on Unit 1 and was in neutral drive. Unit 1 rolled backwards through the yard of 2211 Shadowood Cir. and struck the corner of the residence.



BWG - On

CRASH REPORTED DATE / TIME
 08112020 2054

DISPATCH DATE / TIME
 08112020 2054

ARRIVAL DATE / TIME
 08112020 2101

SCENE CLEARED DATE / TIME
 08112020 2252

REPORT TAKEN BY
 POLICE AGENCY
 MOTORIST

TOTAL TIME ROADWAY CLOSED
 120

OTHER INVESTIGATION TIME
 30

TOTAL MINUTES
 148

OFFICER'S NAME*
 Bennington, Stephanie
 OFFICER'S BADGE NUMBER*
 4 4

CHECKED BY OFFICER'S NAME*
 [Signature]
 CHECKED BY OFFICER'S BADGE NUMBER*
 5

SUPPLEMENT (CORRECTION OR ADDITION TO AN EXISTING REPORT SENT TO OOPS)

OWNER

UNIT # **01** OWNER NAME: LAST, FIRST, MIDDLE (SAME AS DRIVER)
Dulaney, Joe L

OWNER ADDRESS: STREET, CITY, STATE, ZIP (SAME AS DRIVER)
2201 Shadowood Cir Bellbrook OH 45305-2901

COMMERCIAL CARRIER: NAME, ADDRESS, CITY, STATE, ZIP

OWNER PHONE: INCLUDE AREA CODE (SAME AS DRIVER)

DAMAGE

DAMAGE SCALE

2 1 - NONE 3 - FUNCTIONAL DAMAGE
2 - MINOR DAMAGE 4 - DISABLING DAMAGE
9 - UNKNOWN

VEHICLE

LP STATE **OH** LICENSE PLATE # **GTP5634** VEHICLE IDENTIFICATION # **4S4BRCGC3A3364716** VEHICLE YEAR **2010** VEHICLE MAKE **SUBA**

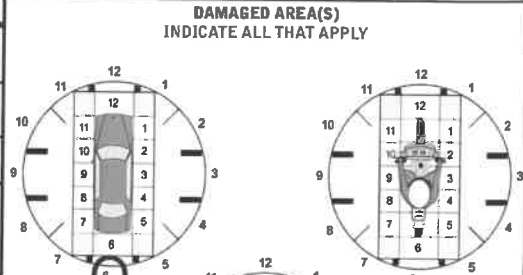
INSURANCE VERIFIED INSURANCE COMPANY **American Family** INSURANCE POLICY # **41014-96144-66** COLOR **GRY** VEHICLE MODEL **OUTB**

COMMERCIAL GOVERNMENT IN EMERGENCY RESPONSE TYPE OF USE

INTERLOCK DEVICE EQUIPPED HIT/SKIP UNIT #OCCUPANTS **00** US DOT #

MATERIAL RELEASED HAZARDOUS MATERIAL CLASS # PLACARD ID #

PLACARD



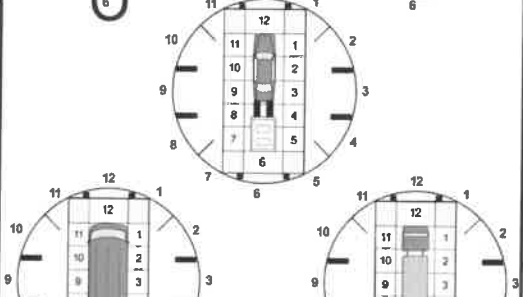
UNIT TYPE

03 1 - PASSENGER CAR 7 - MOTORCYCLE 2-WHEELED 12 - GOLF CART 18 - LIMO (LIVERY VEHICLE) 23 - PEDESTRIAN / SKATER
2 - PASSENGER VAN (MINIVAN) 8 - MOTORCYCLE 3-WHEELED 13 - SNOWMOBILE 19 - BUS (16+ PASSENGERS) 24 - WHEELCHAIR (ANY TYPE)
3 - SPORT UTILITY VEHICLE 9 - AUTOCYCLE 14 - SINGLE UNIT TRUCK 20 - OTHER VEHICLE 25 - OTHER NON-MOTORIST
4 - PICK UP 10 - MOPED OR MOTORIZED BICYCLE 15 - SEMI-TRACTOR 21 - HEAVY EQUIPMENT 26 - BICYCLE
5 - CARGO VAN 11 - ALL TERRAIN VEHICLE (ATV / UTV) 16 - FARM EQUIPMENT 22 - ANIMAL WITH RIDER OR ANIMAL-DRAWN VEHICLE 27 - TRAIN
6 - VAN (9-15 SEATS) 17 - MOTORHOME 99 - UNKNOWN OR HITSKIP

OF TRAILING UNITS **0**

2 WAS VEHICLE OPERATING IN AUTONOMOUS MODE WHEN CRASH OCCURRED? **0** AUTONOMOUS MODE LEVEL

1 - YES 2 - NO 9 - OTHER / UNKNOWN 0 - NO AUTOMATION 3 - CONDITIONAL AUTOMATION 9 - UNKNOWN
1 - DRIVER ASSISTANCE 4 - HIGH AUTOMATION
2 - PARTIAL AUTOMATION 5 - FULL AUTOMATION



SPECIAL FUNCTION

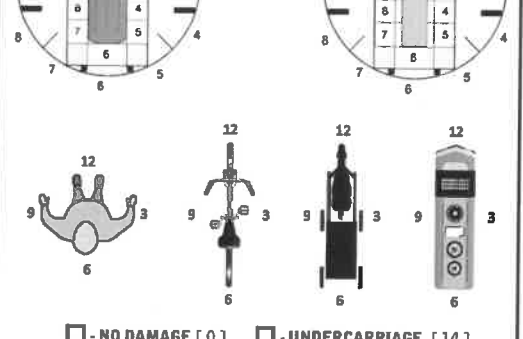
01 1 - NONE 6 - BUS - CHARTER/TOUR 11 - FIRE 16 - FARM 21 - MAIL CARRIER
2 - TAXI 7 - BUS - INTERCITY 12 - MILITARY 17 - MOWING 99 - OTHER / UNKNOWN
3 - ELECTRONIC RIDE SHARING 8 - BUS - SHUTTLE 13 - POLICE 18 - SNOW REMOVAL
4 - SCHOOL TRANSPORT 9 - BUS - OTHER 14 - PUBLIC UTILITY 19 - TOWING
5 - BUS - TRANSIT/COMMUTER 10 - AMBULANCE 15 - CONSTRUCTION EQUIPMENT 20 - SAFETY SERVICE PATROL

01 CARGO BODY TYPE

1 - NO CARGO BODY TYPE / NOT APPLICABLE 3 - VEHICLE TOWING ANOTHER MOTOR VEHICLE 5 - INTERMODAL CONTAINER CHASSIS 8 - POLE 12 - CONCRETE MIXER
2 - BUS 4 - LOGGING 6 - CARGO VAN/ENCLOSED BOX 9 - CARGO TANK 13 - AUTO TRANSPORTER
7 - GRAIN/CHIPS/GRAVEL 10 - FLAT BED 11 - DUMP 14 - GARBAGE/REFUSE 99 - OTHER / UNKNOWN

VEHICLE DEFECTS

1 - TURN SIGNALS 4 - BRAKES 7 - WORN OR SLICK TIRES 9 - MOTOR TROUBLE 99 - OTHER / UNKNOWN
2 - HEAD LAMPS 5 - STEERING 8 - TRAILER EQUIPMENT DEFECTIVE 10 - DISABLED FROM PRIOR ACCIDENT
3 - TAIL LAMPS 6 - TIRE BLOWOUT



NON-MOTORIST LOCATION AT IMPACT

10 1 - INTERSECTION - MARKED CROSSWALK 3 - INTERSECTION - OTHER 6 - BICYCLE LANE 9 - MEDIAN/CROSSING ISLAND 12 - FIRST RESPONDER AT INCIDENT SCENE
2 - INTERSECTION - UNMARKED CROSSWALK 4 - MIDBLOCK - MARKED CROSSWALK 7 - SHOULDER / ROADSIDE 10 - DRIVEWAY ACCESS
5 - TRAVEL LANE - OTHER LOCATION 8 - SIDEWALK 11 - SHARED USE PATHS OR TRAILS 99 - OTHER / UNKNOWN

ACTION

3 1 - NON-CONTACT 2 - NON-COLLISION 20 2 - BACKING 8 - ENTERING TRAFFIC LANE 13 - NEGOTIATING A CURVE 18 - APPROACHING OR LEAVING VEHICLE
3 - STRIKING 3 - CHANGING LANES 9 - LEAVING TRAFFIC LANE 14 - ENTERING OR CROSSING SPECIFIED LOCATION 19 - STANDING
4 - STRUCK PRE-CRASH ACTIONS 4 - OVERTAKING/PASSING 10 - PARKED 15 - WALKING, RUNNING, JOGGING, PLAYING 20 - OTHER NON-MOTORIST
5 - BOTH STRIKING & STRUCK 5 - MAKING RIGHT TURN 11 - SLOWING OR STOPPED IN TRAFFIC 16 - WORKING 21 - STANDING OUTSIDE DISABLED VEHICLE
9 - OTHER / UNKNOWN 6 - MAKING LEFT TURN 12 - DRIVERLESS 17 - PUSHING VEHICLE 99 - OTHER / UNKNOWN

INITIAL POINT OF CONTACT

6 0 - NO DAMAGE 14 - UNDERCARRIAGE
1-12 - REFER TO UNIT DIAGRAM 15 - VEHICLE NOT AT SCENE
13 - TOP 99 - UNKNOWN

CONTRIBUTING CIRCUMSTANCES

99 1 - NONE 7 - LEFT OF CENTER 13 - IMPROPER START FROM A PARKED POSITION 17 - VISION OBSTRUCTION 21 - LYING IN ROADWAY
2 - FAILURE TO YIELD 8 - FOLLOWING TOO CLOSE / ACDA 14 - STOPPED OR PARKED ILLEGALLY 18 - OPERATING DEFECTIVE EQUIPMENT 22 - NOT DISCERNIBLE
3 - RAN RED LIGHT 9 - IMPROPER LANE CHANGE 15 - SWERVING TO AVOID 19 - LOAD SHIFTING/FALLING/ SPILLING 23 - OPENING DOOR INTO ROADWAY
4 - RAN STOP SIGN 10 - IMPROPER PASSING 16 - WRONG WAY 20 - IMPROPER CROSSING 99 - OTHER IMPROPER ACTION
5 - UNSAFE SPEED 11 - DROVE OFF ROAD
6 - IMPROPER TURN 12 - IMPROPER BACKING

TRAFFIC

TRAFFICWAY FLOW

1 - ONE-WAY
2 - TWO-WAY

TRAFFIC CONTROL

06 1 - ROUNDABOUT 4 - STOP SIGN
2 - SIGNAL 5 - YIELD SIGN
3 - FLASHER 6 - NO CONTROL

OF THROUGH LANES ON ROAD

RAIL GRADE CROSSING

1 - NOT INVOLVED
2 - INVOLVED-ACTIVE CROSSING
3 - INVOLVED-PASSIVE CROSSING

SEQUENCE OF EVENTS

1 **12** 1 - OVERTURN/ROLLOVER 6 - EQUIPMENT FAILURE 11 - CROSS CENTERLINE - OPPOSITE DIRECTION OF TRAVEL 16 - RAILWAY VEHICLE 22 - WORK ZONE MAINTENANCE EQUIPMENT
2 **99** 2 - FIRE/EXPLOSION 7 - SEPARATION OF UNITS 12 - DOWNHILL RUNAWAY 17 - ANIMAL - FARM 23 - STRUCK BY FALLING, SHIFTING CARGO OR ANYTHING SET IN MOTION BY A MOTOR VEHICLE
3 **52** 3 - IMMERSION 8 - RAN OFF ROAD RIGHT 13 - OTHER NON-COLLISION 18 - ANIMAL - DEER 24 - OTHER MOVABLE OBJECT
4 - JACKKNIFE 9 - RAN OFF ROAD LEFT 14 - PEDESTRIAN 19 - ANIMAL - OTHER
5 - CARGO / EQUIPMENT LOSS OR SHIFT 10 - CROSS MEDIAN 15 - PEDALCYCLE 20 - MOTOR VEHICLE IN TRANSPORT

UNIT / NON-MOTORIST DIRECTION

FROM **1** TO **2**

1 - NORTH 5 - NORTHEAST
2 - SOUTH 6 - NORTHWEST
3 - EAST 7 - SOUTHEAST
4 - WEST 8 - SOUTHWEST
9 - OTHER / UNKNOWN

COLLISION WITH FIXED OBJECT - STRUCK

4 **25** 25 - IMPACT ATTENUATOR / CRASH CUSHION 31 - GUARDRAIL END 37 - TRAFFIC SIGN POST 43 - CURB 50 - WORK ZONE MAINTENANCE EQUIPMENT
5 **26** 26 - BRIDGE OVERHEAD STRUCTURE 32 - PORTABLE BARRIER 38 - OVERHEAD SIGN POST 44 - DITCH 51 - WALL
6 **27** 27 - BRIDGE PIER OR ABUTMENT 33 - MEDIAN CABLE BARRIER 39 - LIGHT / LUMINARIES SUPPORT 45 - EMBANKMENT 52 - BUILDING
28 - BRIDGE PARAPET 34 - MEDIAN GUARDRAIL BARRIER 40 - UTILITY POLE 46 - FENCE 53 - TUNNEL
29 - BRIDGE RAIL 35 - MEDIAN CONCRETE BARRIER 41 - OTHER POST, POLE OR SUPPORT 47 - MAILBOX 54 - OTHER FIXED OBJECT
30 - GUARDRAIL FACE 36 - MEDIAN OTHER BARRIER 42 - CULVERT 48 - TREE 99 - OTHER / UNKNOWN
49 - FIRE HYDRANT

1 FIRST HARMFUL EVENT **3** MOST HARMFUL EVENT

UNIT SPEED

000

POSTED SPEED

10

DETECTED SPEED

3 1 - STATED / ESTIMATED SPEED
2 - CALCULATED / EDR
3 - UNDETERMINED



MOTORIST / Non-MOTORIST

LOCAL REPORT NUMBER

20-000026

UNIT #	NAME: LAST, FIRST, MIDDLE					DATE OF BIRTH		AGE	GENDER		
01	Dulaney, Joe L					03251968		52	M		
ADDRESS: STREET, CITY, STATE, ZIP					CONTACT PHONE - INCLUDE AREA CODE						
2201 Shadowood Cir Bellbrook OH 45305-2901											
INJURIES	INJURED TAKEN BY	EMS AGENCY (NAME)			INJURED TAKEN TO: MEDICAL FACILITY (NAME, CITY)		SAFETY EQUIPMENT USED	SEATING POSITION	AIR BAG USAGE	EJECTION	TRAPPED
							<input type="checkbox"/> DOT-COMPLIANT MC HELMET				
OL STATE	OPERATOR LICENSE NUMBER		OFFENSE CHARGED		LOCAL CODE	OFFENSE DESCRIPTION		CITATION NUMBER			
**	*****				<input type="checkbox"/>						
OL CLASS	ENDORSEMENT SELECT UP TO 2	RESTRICTION SELECT UP TO 3		DRIVER DISTRACTED BY	ALCOHOL / DRUG SUSPECTED		CONDITION	ALCOHOL TEST		DRUG TEST(S)	
4					<input type="checkbox"/> ALCOHOL <input type="checkbox"/> MARIJUANA <input type="checkbox"/> OTHER DRUG		1	STATUS 1 TYPE 1 VALUE	STATUS 1 TYPE 1 RESULT SELECT UP TO 4		

UNIT #	NAME: LAST, FIRST, MIDDLE					DATE OF BIRTH		AGE	GENDER		
ADDRESS: STREET, CITY, STATE, ZIP					CONTACT PHONE - INCLUDE AREA CODE						
INJURIES	INJURED TAKEN BY	EMS AGENCY (NAME)			INJURED TAKEN TO: MEDICAL FACILITY (NAME, CITY)		SAFETY EQUIPMENT USED	SEATING POSITION	AIR BAG USAGE	EJECTION	TRAPPED
							<input type="checkbox"/> DOT-COMPLIANT MC HELMET				
OL STATE	OPERATOR LICENSE NUMBER		OFFENSE CHARGED		LOCAL CODE	OFFENSE DESCRIPTION		CITATION NUMBER			
					<input type="checkbox"/>						
OL CLASS	ENDORSEMENT SELECT UP TO 2	RESTRICTION SELECT UP TO 3		DRIVER DISTRACTED BY	ALCOHOL / DRUG SUSPECTED		CONDITION	ALCOHOL TEST		DRUG TEST(S)	
					<input type="checkbox"/> ALCOHOL <input type="checkbox"/> MARIJUANA <input type="checkbox"/> OTHER DRUG			STATUS TYPE VALUE STATUS TYPE RESULT SELECT UP TO 4			

UNIT #	NAME: LAST, FIRST, MIDDLE					DATE OF BIRTH		AGE	GENDER		
ADDRESS: STREET, CITY, STATE, ZIP					CONTACT PHONE - INCLUDE AREA CODE						
INJURIES	INJURED TAKEN BY	EMS AGENCY (NAME)			INJURED TAKEN TO: MEDICAL FACILITY (NAME, CITY)		SAFETY EQUIPMENT USED	SEATING POSITION	AIR BAG USAGE	EJECTION	TRAPPED
							<input type="checkbox"/> DOT-COMPLIANT MC HELMET				
OL STATE	OPERATOR LICENSE NUMBER		OFFENSE CHARGED		LOCAL CODE	OFFENSE DESCRIPTION		CITATION NUMBER			
					<input type="checkbox"/>						
OL CLASS	ENDORSEMENT SELECT UP TO 2	RESTRICTION SELECT UP TO 3		DRIVER DISTRACTED BY	ALCOHOL / DRUG SUSPECTED		CONDITION	ALCOHOL TEST		DRUG TEST(S)	
					<input type="checkbox"/> ALCOHOL <input type="checkbox"/> MARIJUANA <input type="checkbox"/> OTHER DRUG			STATUS TYPE VALUE STATUS TYPE RESULT SELECT UP TO 4			

INJURIES	SEATING POSITION	AIR BAG	OL CLASS	OL RESTRICTION(S)	DRIVER DISTRACTION	TEST STATUS
1 - FATAL	1 - FRONT - LEFT SIDE (MOTORCYCLE DRIVER)	1 - NOT DEPLOYED	1 - CLASS A	1 - ALCOHOL INTERLOCK DEVICE	1 - NOT DISTRACTED	1 - NONE GIVEN
2 - SUSPECTED SERIOUS INJURY	2 - FRONT - MIDDLE	2 - DEPLOYED FRONT	2 - CLASS B	2 - CDL INTRASTATE ONLY	2 - MANUALLY OPERATING AN ELECTRONIC COMMUNICATION DEVICE (TEXTING, TYPING, DIALING)	2 - TEST REFUSED
3 - SUSPECTED MINOR INJURY	3 - FRONT - RIGHT SIDE	3 - DEPLOYED SIDE	3 - CLASS C	3 - CORRECTIVE LENSES	3 - TALKING ON HANDS-FREE COMMUNICATION DEVICE	3 - TEST GIVEN, CONTAMINATED SAMPLE / UNUSABLE
4 - POSSIBLE INJURY	4 - SECOND - LEFT SIDE (MOTORCYCLE PASSENGER)	4 - DEPLOYED BOTH FRONT / SIDE	4 - REGULAR CLASS (OHIO = D)	4 - FARM WAIVER	4 - TALKING ON HAND-HELD COMMUNICATION DEVICE	4 - TEST GIVEN, RESULTS KNOWN
5 - NO APPARENT INJURY	5 - SECOND - MIDDLE	5 - NOT APPLICABLE	5 - M/C MOPED ONLY	5 - EXCEPT CLASS A BUS	5 - OTHER ACTIVITY WITH AN ELECTRONIC DEVICE	5 - TEST GIVEN, RESULTS UNKNOWN
INJURED TAKEN BY	6 - SECOND - RIGHT SIDE	9 - DEPLOYMENT UNKNOWN	6 - NO VALID OL	6 - EXCEPT CLASS A & CLASS B BUS	7 - OTHER DISTRACTION INSIDE THE VEHICLE	ALCOHOL TEST TYPE
1 - NOT TRANSPORTED / TREATED AT SCENE	7 - THIRD - LEFT SIDE (MOTORCYCLE SIDE CAR)	EJECTION	OL ENDORSEMENT	7 - EXCEPT TRACTOR-TRAILER	8 - OTHER DISTRACTION OUTSIDE THE VEHICLE	1 - NONE
2 - EMS	8 - THIRD - MIDDLE	1 - NOT EJECTED	H - HAZMAT	8 - INTERMEDIATE LICENSE RESTRICTIONS	9 - OTHER / UNKNOWN	2 - BLOOD
3 - POLICE	9 - THIRD - RIGHT SIDE	2 - PARTIALLY EJECTED	M - MOTORCYCLE	9 - LEARNER'S PERMIT RESTRICTIONS		3 - URINE
9 - OTHER / UNKNOWN	10 - SLEEPER SECTION OF TRUCK CAB	3 - TOTALLY EJECTED	P - PASSENGER	10 - LIMITED TO DAYLIGHT ONLY	CONDITION	4 - BREATH
SAFETY EQUIPMENT	11 - PASSENGER IN OTHER ENCLOSED CARGO AREA (NON-TRAILING UNIT, BUS, PICK-UP WITH CAP)	4 - NOT APPLICABLE	N - TANKER	11 - LIMITED TO EMPLOYMENT	1 - APPARENTLY NORMAL	5 - OTHER
1 - NONE USED	12 - PASSENGER IN UNENCLOSED CARGO AREA	TRAPPED	Q - MOTOR SCOOTER	12 - LIMITED - OTHER	2 - PHYSICAL IMPAIRMENT	DRUG TEST TYPE
2 - SHOULDER BELT ONLY USED	13 - TRAILING UNIT	1 - NOT TRAPPED	R - THREE-WHEEL MOTORCYCLE	13 - MECHANICAL DEVICES (SPECIAL BRAKES, HAND CONTROLS, OR OTHER ADAPTIVE DEVICES)	3 - EMOTIONAL (E.G., DEPRESSED, ANGRY, DISTURBED)	1 - NONE
3 - LAP BELT ONLY USED	14 - RIDING ON VEHICLE EXTERIOR (NON-TRAILING UNIT)	2 - EXTRICATED BY MECHANICAL MEANS	S - SCHOOL BUS	14 - MILITARY VEHICLES ONLY	4 - ILLNESS	2 - BLOOD
4 - SHOULDER & LAP BELT USED	15 - NON-MOTORIST	3 - FREED BY NON-MECHANICAL MEANS	T - DOUBLE & TRIPLE TRAILERS	15 - MOTOR VEHICLES WITHOUT AIR BRAKES	5 - FELL ASLEEP, FAINTED, FATIGUED, ETC.	3 - URINE
5 - CHILD RESTRAINT SYSTEM - FORWARD FACING	99 - OTHER / UNKNOWN		X - TANKER / HAZMAT	16 - OUTSIDE MIRROR	6 - UNDER THE INFLUENCE OF MEDICATIONS / DRUGS / ALCOHOL	4 - OTHER
6 - CHILD RESTRAINT SYSTEM - REAR FACING			GENDER	17 - PROSTHETIC AID	9 - OTHER / UNKNOWN	DRUG TEST RESULT(S)
7 - BOOSTER SEAT			F - FEMALE	18 - OTHER		1 - AMPHETAMINES
8 - HELMET USED			M - MALE			2 - BARBITURATES
9 - PROTECTIVE PADS USED (ELBOW, KNEES, ETC.)			U - OTHER / UNKNOWN			3 - BENZODIAZEPINES
10 - REFLECTIVE CLOTHING						4 - CANNABINOIDS
11 - LIGHTING - PEDESTRIAN / BICYCLE ONLY						5 - COCAINE
99 - OTHER / UNKNOWN						6 - OPIATES / OPIOIDS
						7 - OTHER
						8 - NEGATIVE RESULTS

LOCAL REPORT NUMBER 20-000026	REPORTING AGENCY Bellbrook Police Department	DATE OF CRASH M 08 D 11 Y 2020
IN COUNTY OF Greene	CRASH LOCATION Shadowood CR	

Damages caused by Unit 1;

1. Damage to downspout - Downspout was crushed by impact
2. Damage to wooden retaining wall - Wood board for retaining wall was knocked loose and knocked down from impact.
3. Possible damage to Vectren gas meter.

Cost of the damages is unknown at this time. Owner of Unit 1 was advised to provide any costs assessed by Vectren for repairs to the gas meter. Resident of 2211 Shadowood Cir. advised to provide costs for downspout and wooden retaining wall.

Dennis Bennett
2211 Shadowood Cir

OFFICER'S SIGNATURE <input checked="" type="checkbox"/> Bennington, Stephanie	BADGE NUMBER 44
--	--------------------

OHIO TRAFFIC CRASH WITNESS STATEMENT

OH-3 REV 1/82

LOCAL REPORT NUMBER	20-000026	REPORTING AGENCY	Bellbrook Police Dept.	DATE OF CRASH	MOE 10 11 1920
---------------------	-----------	------------------	------------------------	---------------	----------------

FOR LOCAL USE ONLY - DO NOT SUBMIT TO THE STATE EXCEPT FOR FATAL CRASHES

I, Joe Dulany (PRINTED) HEREBY MAKE THIS VOLUNTARY STATEMENT TO
 off. Bennington (OFFICERS NAME) AT 2201 Shadwood Cir. (LOCATION)

Was changing brakes on my car.
 Replaced all the brakes. moved the car out of garage and it rolled back into the neighbors house

JD

JD

ADDRESS OF WITNESS	2201 Shadwood Cir. Bellbrook OH 45305	PHONE	
SIGNATURE OF WITNESS	<u>Joe L. Dulany</u>	OFFICERS SIGNATURE <u>[Signature]</u>	44